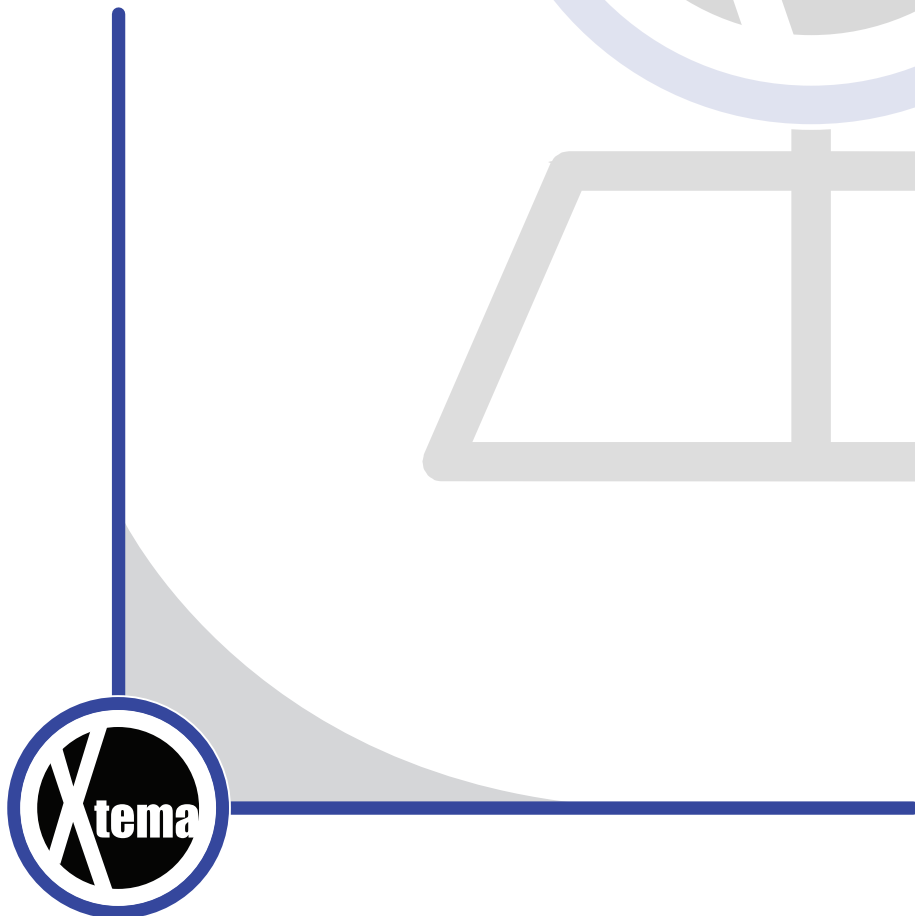
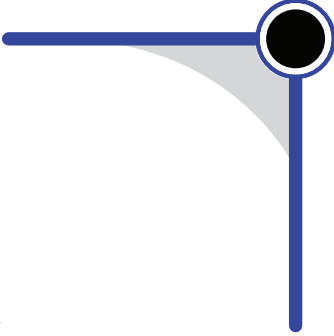


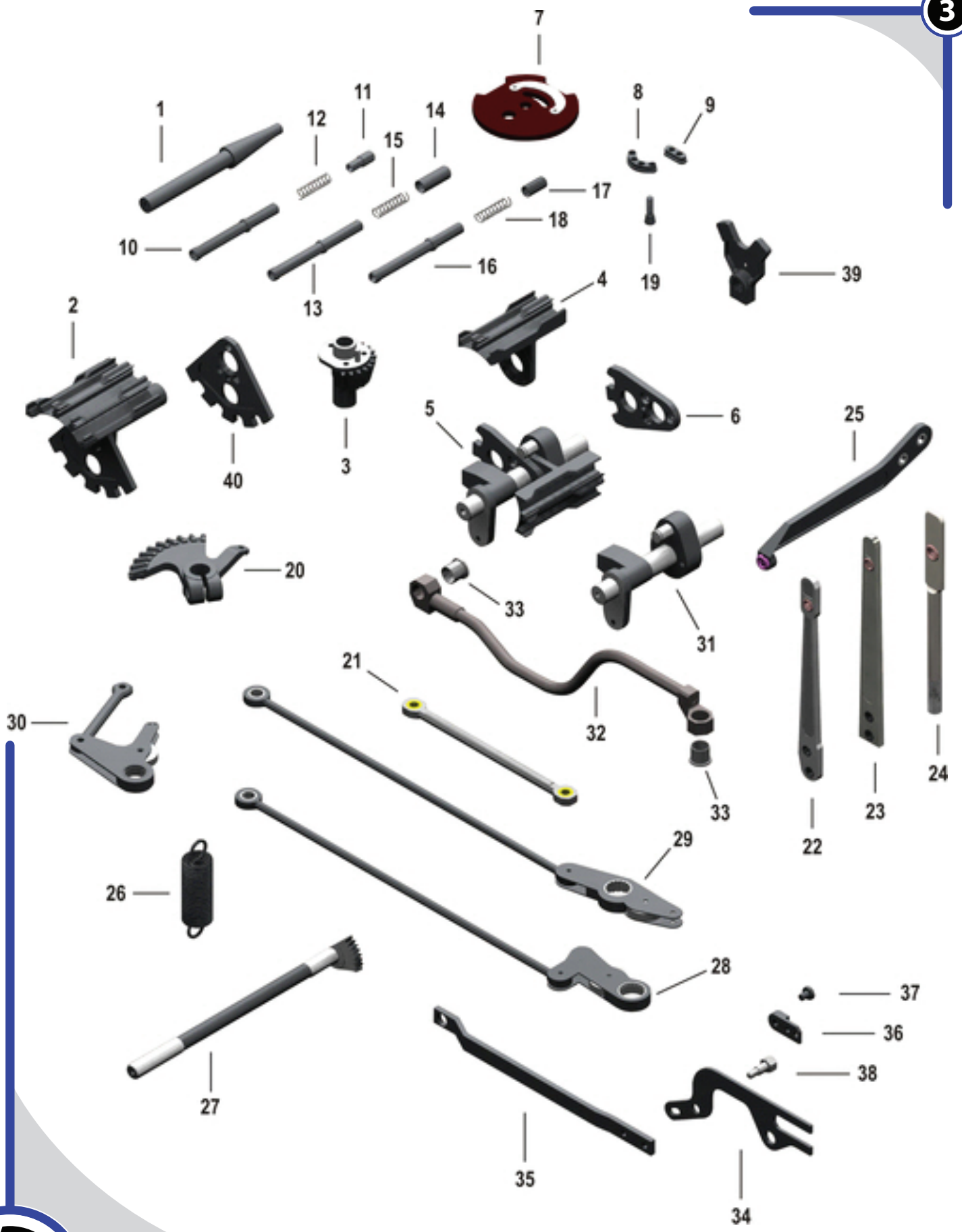
Projectile Looms Spareparts Catalogue





3-4.....	COLOUR SELECTOR
5-6.....	COUPLING PIECES, CLAMPING FLANGES - WEFT BRAKE
7-8.....	GUIDE TEETH - PROJECTILE RETURNER
9-10.....	PICKING LOCK
11-12.....	PICKING MECHANISM
13-14.....	PROJECTILES AND GRIPPERS D1, D2, D12
15-18.....	PROJECTILE BRAKE
19-20.....	PROJECTILE FEEDER DRIVE
21-22.....	PROJECTILE FEEDER ES, D1, D2, D12
23-34.....	PROJECTILE FEEDER MS, D1, D2, D12
25-26.....	PROJECTILE GUIDE BLOCKS and FRONT GUIDE INSERTS D1, D2, D12
27-28.....	PROJECTILE LIFTER and OPENER
29-30.....	RECEIVING UNIT
31-32.....	SCISSORS and CENTERING BLADES
33-34.....	WEFT END GRIPPERS and TUCK-IN NEEDLES
35-36.....	WEFT END GRIPPERS

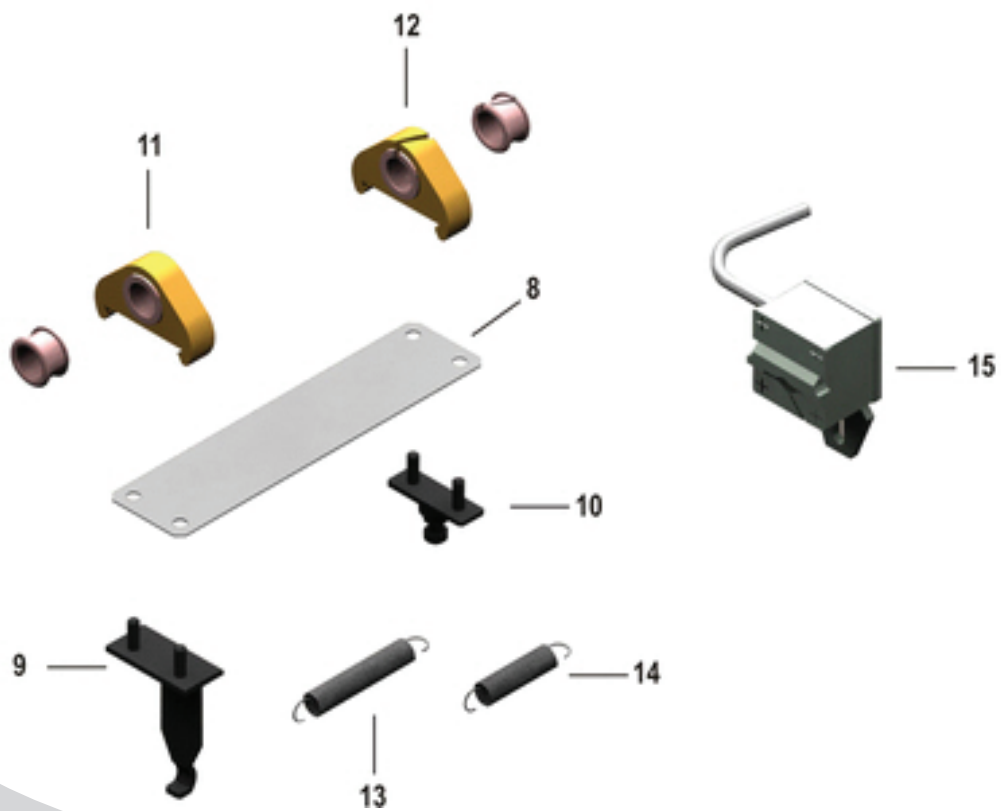




COLOUR SELECTOR

ID:	Xtema No:	Art No:	Article name
1	501	911141346	Selector axle
2	502	911841071	Selector Complete D1 L:90
2	503		Selector Complete D1 L:79
3	504	912141912	Toothed segment D1 Z:11
3	505	911741001	Toothed segment D1 Z:7
4	506		Selector 2 colors
5	529	911840144	Selector 2 colors complete
6	545		Plate for 2 colors selector
7	507	912541261	Locking Plate D1
8	508	911241120	Eyelet segment D1
9	509	911340132	Eyelet segment D1 2 colors
10	510	911341257	Thread Tube D1 5/7,1/10,8x103,4
11	511	911341136	Pressure piece D1
12	512	911141627	Pressure spring
13	534		Thread Tube D2 9/10/12x100
14	533		Pressure piece L:32
15	535		Pressure spring D12
16	537		Thread Tube D2 9/10/12x98,60
17	536		Pressure piece L:21,10
18	538		Pressure spring D2
19	513	911241341	Special screw
20	514	911141366	Toothed Lever
20	515	9113 41064	Toothed Lever
21	516	912541134	Traction Rod
22	517	911814173	Weft Tensioning lever
23	518	930814001	Weft Tensioning lever
24	541	912514281	Weft Tensioning lever
25	542	917750064	Weft Tensioning Support L:194
25	543	917750355	Weft Tensioning Support L:213
26	519	911114748	Spring
26	520	911314502	Spring
27	521	911141129	Cam Driving shaft Z:6
27	522		Cam Driving shaft Z:7
28	523	912514203	Roller lever
29	524	912514204	Roller lever
30	525	912514105	Roller lever
31	526	911840119	Selector Shaft
32	527	911814154	Control Bar
33	546	911314987	BUSH
34	528	740939000	Bend Bar
35	530	911840131	Rod
36	531	911840141	Stop piece
37	532	716392000	Arresting Bolt
38	539	911340616	Eccentric screw
39	547	715781000	Stop disc
40	544		Toothed plate for selector VSD

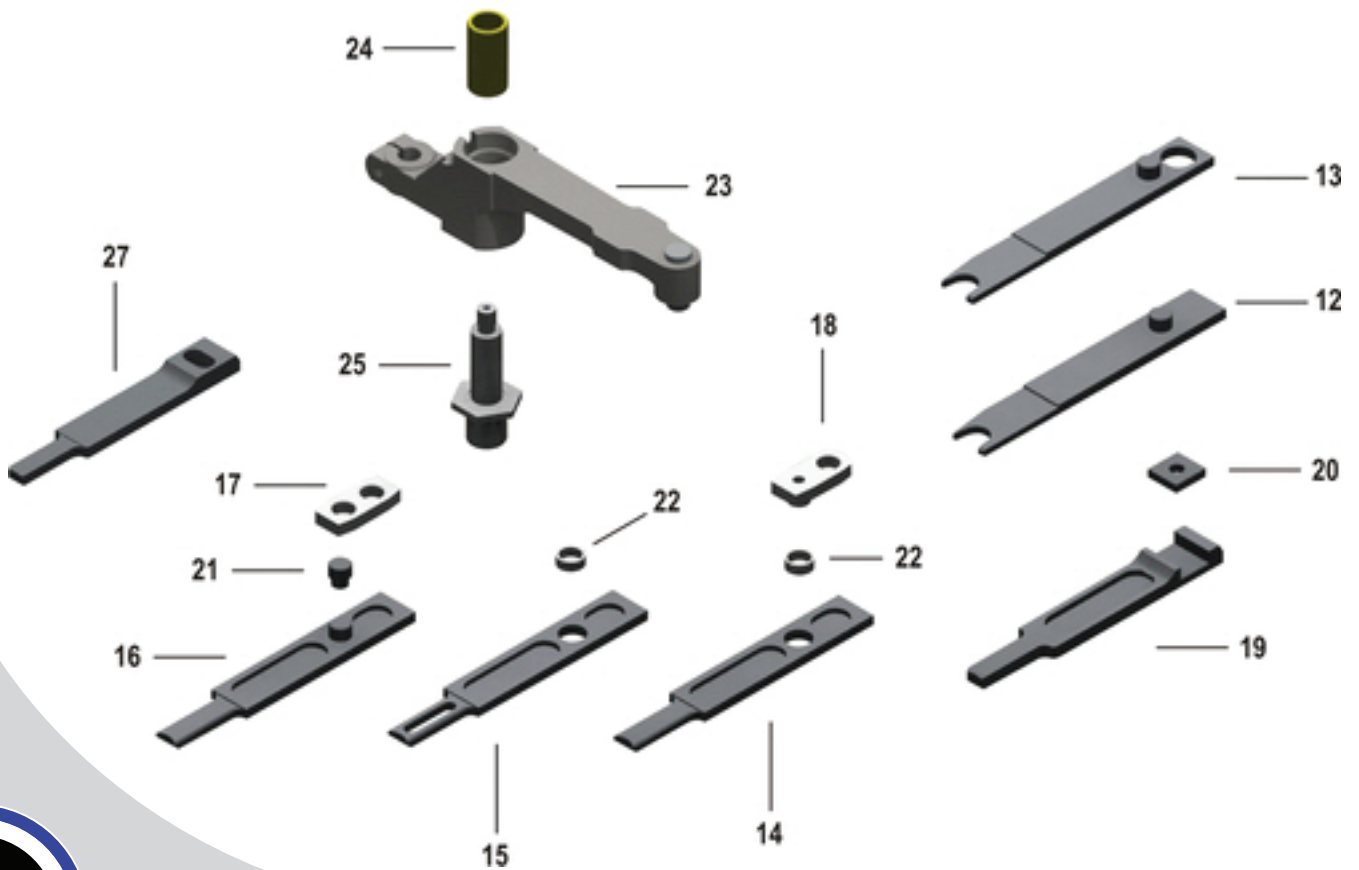
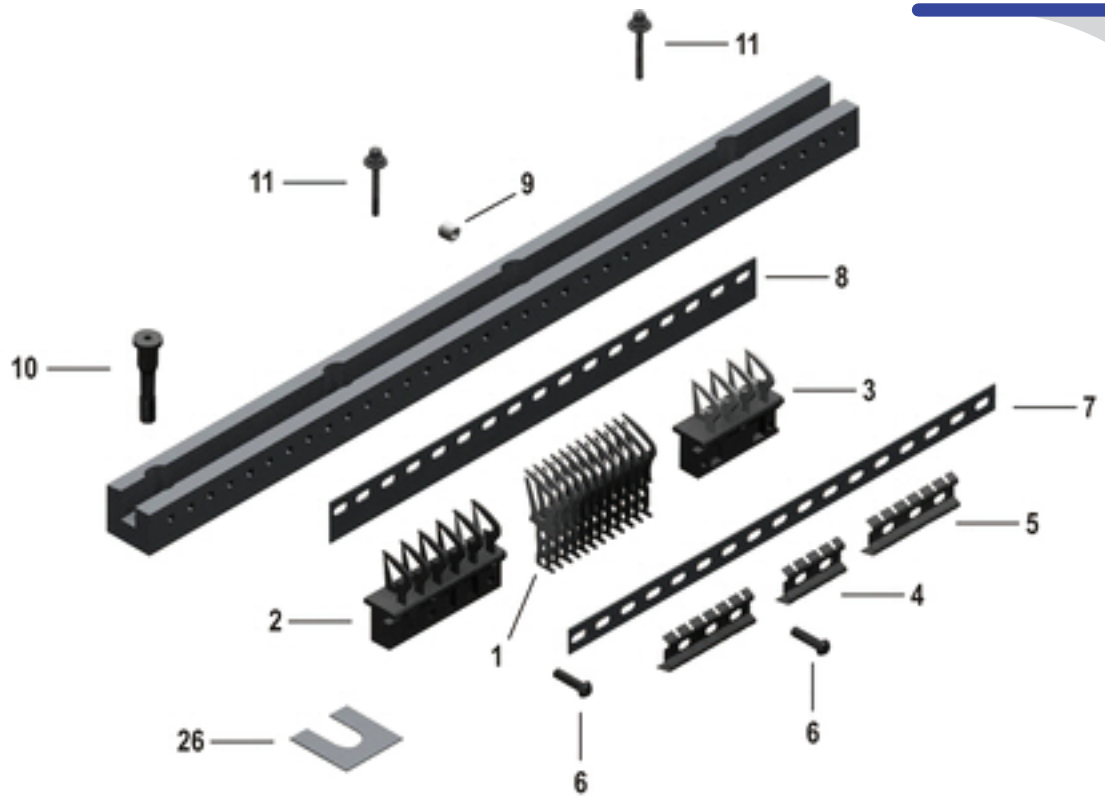




COUPLING PIECES, CLAMPING FLANGES - WEFT BRAKE

ID:	Xtema No:	Art No:	Article name
1	801	911023106	Coupling Piece D40
2	819	911123107	Coupling Piece D40
3	802	912532111	Clamping Flange L:116
3	803	912532112	Clamping Flange L:186
4	804	911132331	Stud
5	805	912132333	Bush
6	806		Plug Coupling
7	807	911159205	Clutch
7	808	911359067	Coupling Flange
8	809	911114929	Brake Band 0,10
8	810	911114926	Brake Band 0,07
8	811		Brake Band 0,20
8	812		Brake Band 0,05
9	813	911814152	Angle (911 414 316)
10	814	912514286	Clamping Plate (911 814 291)
11	815	911814019	Eyelet Piece with eyelet D8,5
12	816	911314864	Eyelet Piece slotted D8,5
13	817	911214133	Spring weak
14	818	911114537	Spring hard
15	2908	911321038	Sensing Head
16	820		Shaft 34mm length upon request

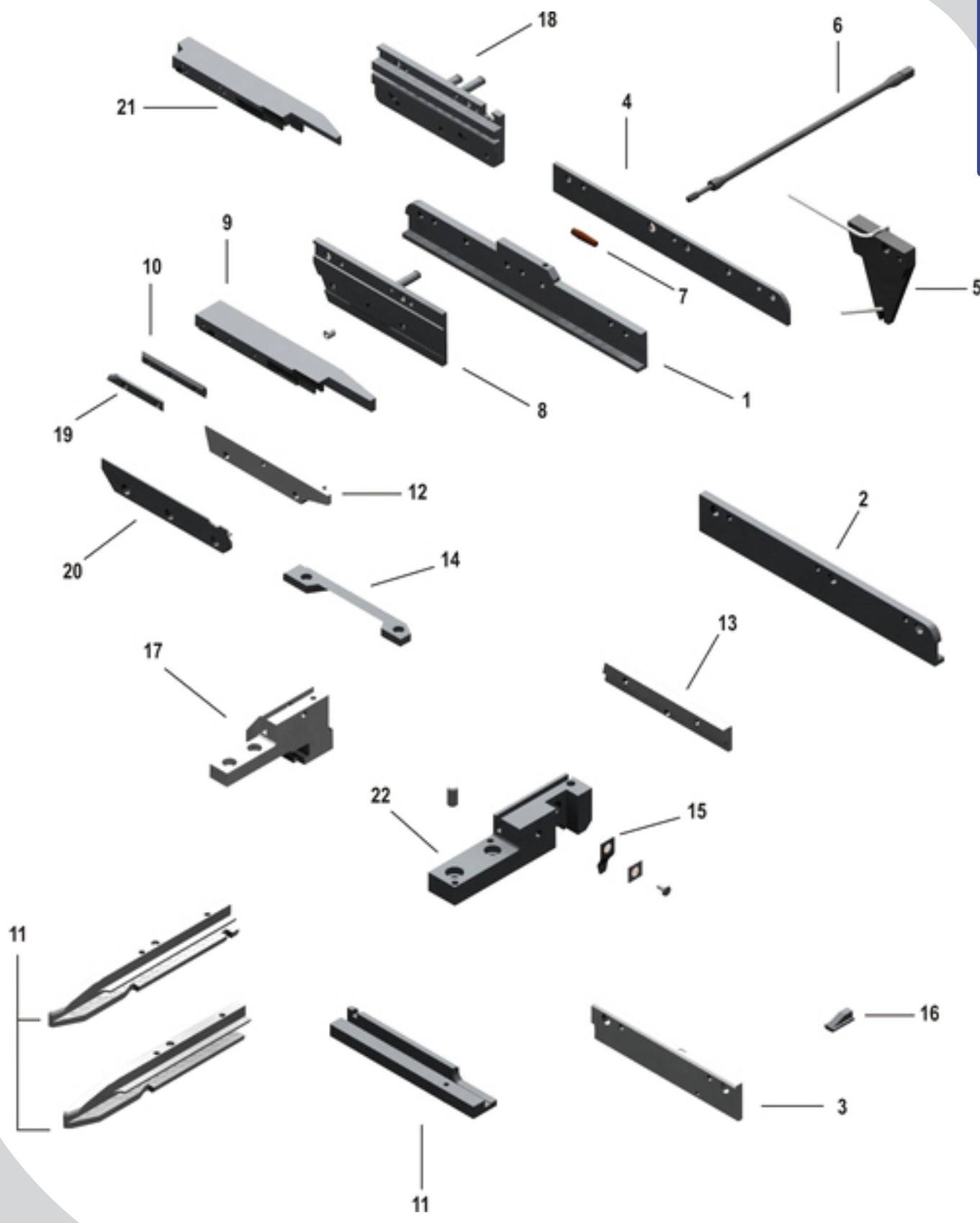




GUIDE TEETH - PROJECTILE RETURNER

ID:	Xtema No:	Art No:	Article name
1	1601	911123337	Guide Tooth D1
1	1602	911123732	Guide Tooth D2
2	1603	911323622	Block Guide Tooth D1/D12 6
2	1652	911323452	Block Guide Tooth D2 6
3	1604	911323623	Block Guide Tooth D1/D12 4
3	1653	911323453	Block Guide Tooth D2 4
4	1605	911123308	Guide tooth holder short
5	1606	911123307	Guide tooth holder short
6	1607	911323216	Special screw M4x23
7	1608	911323212	Guide tooth attachment band 73"
7	1609	911123663	Guide tooth attachment band 85"
7	1610	911123665	Guide tooth attachment band 110"
7	1611	911123667	Guide tooth attachment band 130"
7	1612	911323284	Guide tooth attachment band 143"
7	1613	911123669	Guide tooth attachment band 153"
7	1645		Guide tooth attachment band 183"
7	1614	911123571	Guide tooth attachment band 213"
8	1615	911323211	Lower steel band 73"
8	1616	911223652	Lower steel band 85"
8	1617	911223644	Lower steel band 110"
8	1618	911223656	Lower steel band 130"
8	1619	911323283	Lower steel band 143"
8	1620	911223658	Lower steel band 153"
8	1621	911123799	Lower steel band 183"
8	1622	911123570	Lower steel band 213"
9	1623	911223206	Pressure bolt G1/4X11
10	1624	911323128	Special screw G1/4
11	1625	921011571	Screw M5X35
11	1626	911323029	Hexagonal screw M5X35
11	1627	911323167	Special screw M5X36
12	1628	912526007	Projectile Returner TW11
13	1629	912526008	Projectile Returner TW11
14	1630	911826008	Projectile Returner PU
14	1631	911826021	Projectile Returner PU
15	1632		Projectile Returner PU Light
16	1633	911826006	Projectile Returner D2
16	1646		Projectile Returner PU/TW11
17	1634	91126103	Link TW11
18	1635	911326057	Link PU
19	1636	911326141	Projectile returner D1
19	1648	911326156	Projectile returner D1 HEAVY
19	1637	911326142	Projectile returner D2
19	1649	911326157	Projectile returner D2 HEAVY
20	1638	911326125	Slide Block 20x7,5
20	1639	911326127	Slide Block 20x10,5

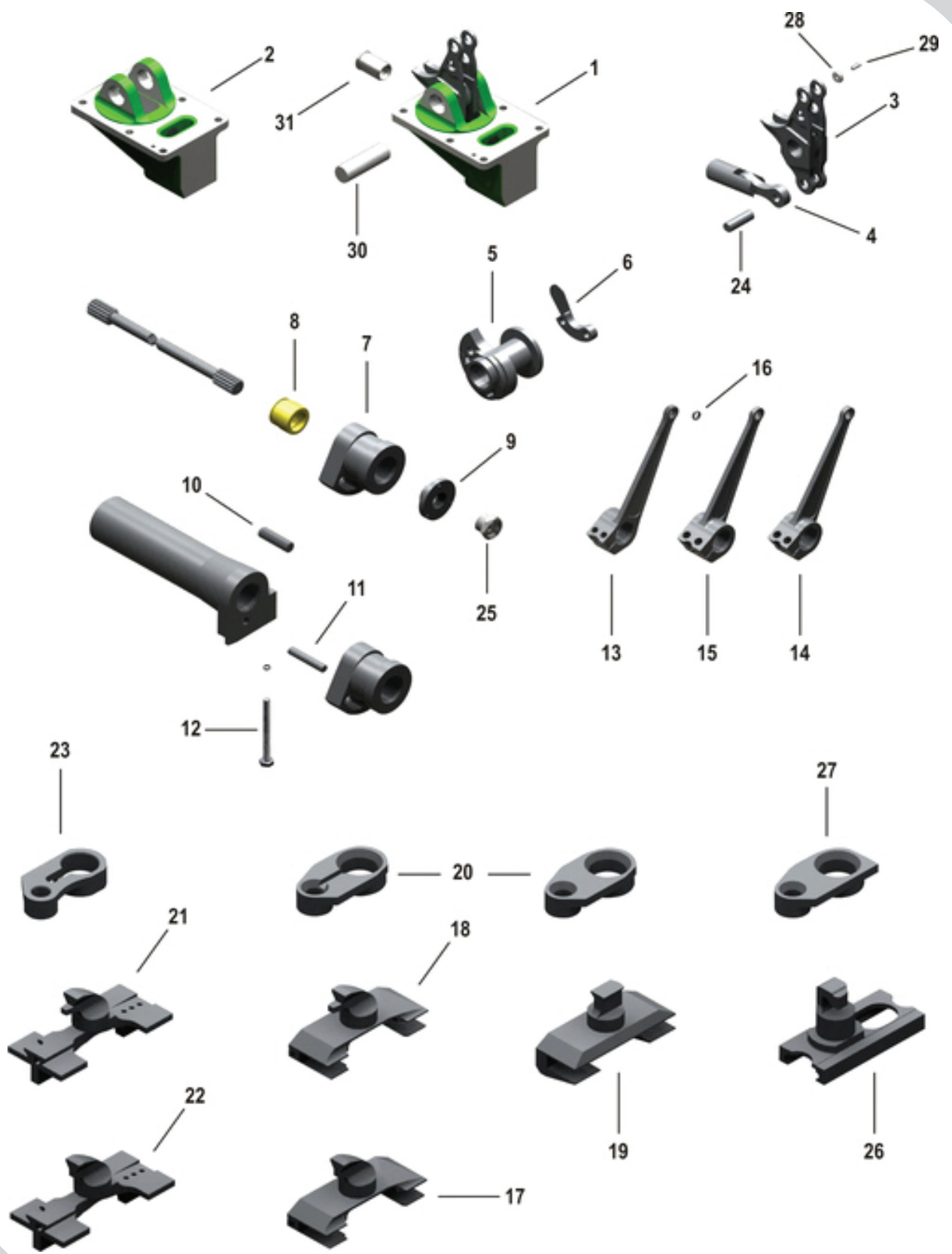




PICKING LOCK

ID:	Xtema No:	Art No:	Article name
1	301	911316402	Proj.Feeder Front Guide Ms
2	302	911116193	Proj.Feeder Front Guide Ms Tw11
3	303	911316025	Proj.Feeder Guide ES L: 189,5MM
3	304	911116155	Proj.Feeder Guide ES
4	305	911316444	Rear Guide rail
4	306	911316128	Rear Guide rail
5	307	911316443	Selector Lubricating Nozzle
6	308	911116232	Special screw M6 L: 293 MM
6	360	911316744	Special screw M6 L: 292,50 MM
7	309	911316439	Spacing bush L: 30
8	310	911716009	Centering plate
8	311	912116113	Centering Plate Tw11
9	312	911316272	Upper guide rail Ms D1(911316747)
9	313	911316173	Upper guide rail Ms D2
9	314	911316572	Upper guide rail Ms D1
9	315	911316117	Upper guide rail Ms D1
9	316	911316175	Upper guide rail Ms D2
10	317	911116150	Upper Guide plate
11	318	911116161	Upper Guide rail Es D1
11	319	911416062	Upper Guide rail Es D12
11	320	911316726	Upper Guide rail Es D1
11		911316269	Upper Guide rail Es D1
11	321	911316468	Upper Guide rail Es D2
11	322	911416263	Upper Guide rail Es D12
11		911816129	Upper Guide rail Es D12
11	357	911416185	Upper Guide rail Es D1 D12
11	354	911316486	Upper Guide rail Es D1
11	365	911416262	Upper Guide rail Es D2
11		911816128	Upper Guide rail Es D2
11	369	911316174	Upper Guide rail Es D1
12	323	911316268	SL Guide Rail
13	324	911116194	Picker Guide
14	325	911116190	Cover Plate MS
14	326	911116189	Cover Plate MS
15	331	911316236	Flat Spring L40,5 MM
16	332	911116187	Webt carrier stop
17	333	911316324	Front picking block D1 MS
17	334	911116177	Front picking block D1 ES
18	335	911416058	Centering Rail L:161mm
18	336	911416164	Centering Rail L:164mm
19	337	911316659	Upper guide plate P7100
20	339	911416089	SL Guide rail P7100 L:164
20	340	911316907	SL Guide rail P7100 L:161
21	341	911416188	Upper Guide rail Ms P7100
21	342	911416255	Upper Guide rail Ms P7100





PICKING MECHANISM

ID:	Xtema No:	Art No:	Article name
1	901	911822126	Picking Housing with Roller lever
1	902	912522125	Picking Housing with Roller lever
2	903	911822125	Picking Housing
2	904	912522126	Picking Housing
3	905	911822044	Picker Roller Lever
3	906	912522116	Picker Roller Lever
4	907	911822054	Brake Plunger Piston L: 83
4	908	912522103	Brake Plunger Piston L: 64,4
5	909	911322227	Picking Cam
5	910	911322639	Picking Cam
6	911	911322067	Roller Holder
7	912	912522153	Tension Flange
7	944	911822137	Tension Flange P7100
8	913	911122295	Bearing Bush
9	914	911122322	Tension Flange Cover
10	915	921799100	Cylindrica l pin
10	916	921011455	Cylindrical pin
11	917	921011432	Stud M12x65
11	918	921022000	Stud 1/2" x 60
11	919	921011040	Stud M16x70
12	920	911322302	Setting screw M14X1,5 L:110 mm
12	921	911322335	Setting screw M14X1,5 L:118 mm
12	922	911322537	Setting screw M14X1,5 L:160 mm
12	923	911322527	Setting screw M14X1,5
13	924	911822065	Picking Lever D37 mm
13	925	911822024	Picking Lever D35 mm
14	926	911822174	Picking Lever D37 mm Steel
15	927	911822108	Picking Lever D38 mm Steel
16	928	911722012	Bush 13,2x11x4
17	929	911322278	Picking Shoe D1 PU
18	931	911622051	Picking Shoe D1 PU with nose tip
18	930	911322279	Pick ing Shoe D2 PU
19	932	911122190	Picking Shoe D1 TW11
20	933	911322147	Picking Link D1-Pu TW11
20	934	911322152	Picking Link D2 Pu
21	953	742768000	Picking Shoe D1 P7100 elastic
21	954	740854000	Picking Shoe D1D12 P7100 Light
22	936	911322541	Picking Shoe D2 P7100
23	938	911322397	Picking Link P7100 D1
23	939	911322896	Picking Link P7100 D1 D2
23		911322525	Picking Link P7100 D1D2
23		740850000	Picking Link P7100 D1D2
24	940	911322097	Hollow Bolt D15X43MM
24	941	911122239	Split Pin L: 42
24	942	911322011	Split Pin L: 34,9
25	943	921866010	Oil level glass

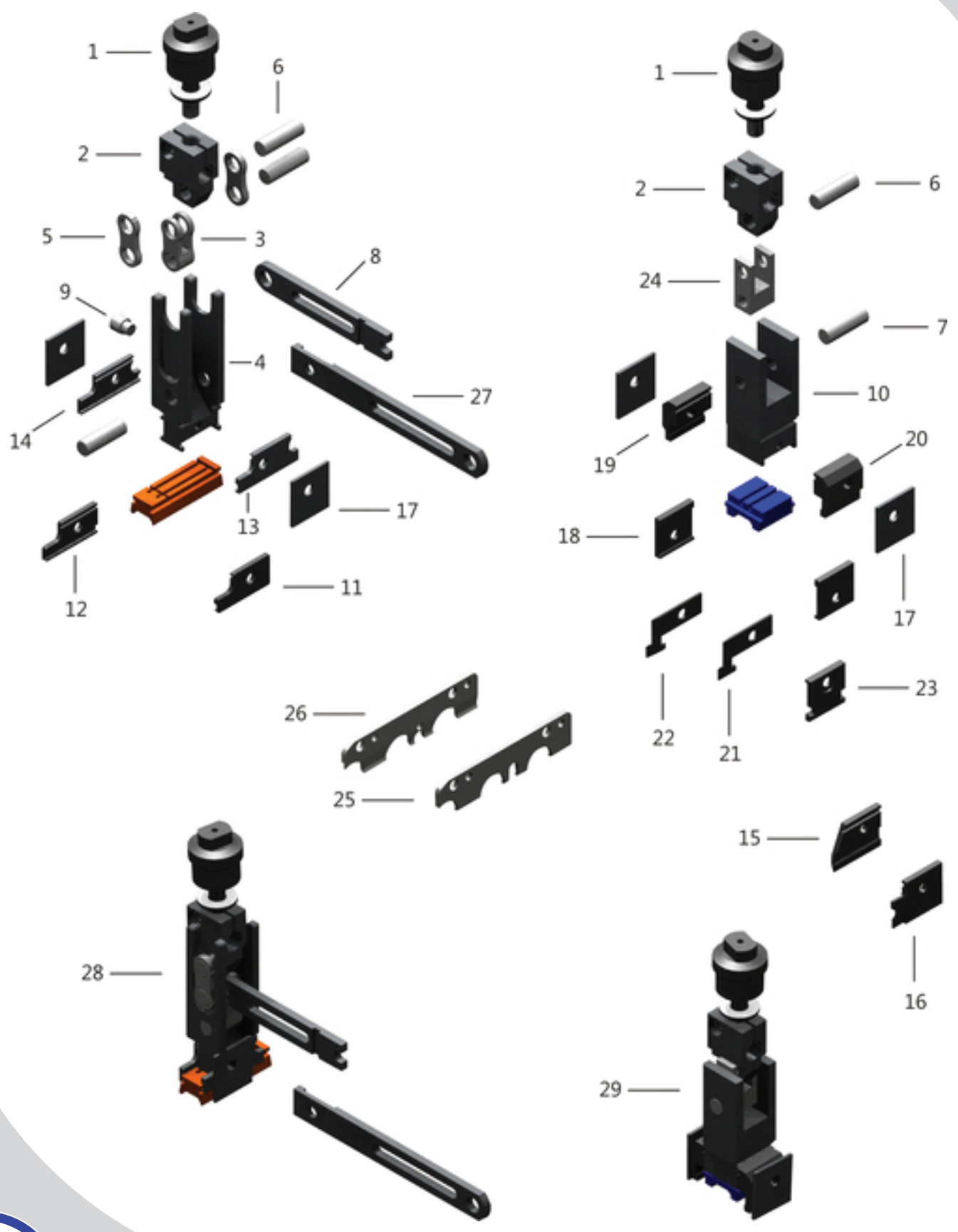




PROJECTILES AND GRIPPERS D1, D2, D12

ID:	Xtema No:	Article name
1	1001	Projectile Body D1
1	1002	Projectile Body D12 Light
1	1003	Projectile Body D2
2	1004	Projectile rivet 4,49x7,45 (911 312 004)
3	1005	Rivet with hole
4	1006	Projectile rivet D2 4,5X9,6 (911 112 132)
4		D1 PROJECTILE GRIPPERS
5	1007	P.Gripper smooth D1 1900 GR.
5	1008	P.Gripper smooth D1 2200 GR.
5	1009	P.Gripper smooth D1 2500 GR.
6	1010	P.Gripper D1 With groove 2200 gr.
6	1011	P.Gripper D1 With groove 2500 gr.
7	1012	P.Gripper D1 2500 gr grooved
7	1013	P.Gripper D1 2500 gr grooved
8	1014	P.Gripper D1 W Type 2500 gr.
8	1015	P.Gripper D1 W Type 2800 gr.
9	1016	P.Gripper D1 1900 GR Smooth 2,2x4 mm
9	1017	P.Gripper D1 2200 GR Smooth 2,2x4 mm
9	1018	P.Gripper D1 2500 GR Smooth 2,2x4 mm
10	1019	P.Gripper D1 2200 GR with groove 2,2x4 mm
10	1020	P.Gripper D1 2500 GR with groove 2,2x4 mm
11	1021	P.Gripper D1 2500 gr grooved 2,2x4mm
11	1022	P.Gripper D1 2800 gr grooved 2,2x4mm
12	1023	P.Gripper D1 W Type 2500 gr. 2,2x4
12	1024	P.Gripper D1 W Type 2800 gr. 2,2x4
12		D1 Diamond knurled Projectile Grippers
12	1032	P.Gripper D 1 2200 GR knurled 2,2x4 mm
12	1033	P.Gripper D1 2500 GR knurled 2,2x4 mm
12	1034	P.Gripper D1 2800 GR knurled 2,2x4 mm
12		D12 Types Projectile grippers
9	1025	P.Gripper 2200 gr smooth D12 3,8X5mm
9	1026	P.Gripper 2500 gr smooth D12 3,8X5mm
11	1027	P.Gripper 2800 gr grooved D12 3,8X 5 mm
11	1031	P.Gripper 2500 gr grooved D12 3,8X5 mm
11	1041	P.Gripper 3000 gr grooved D12 3,8X5 mm

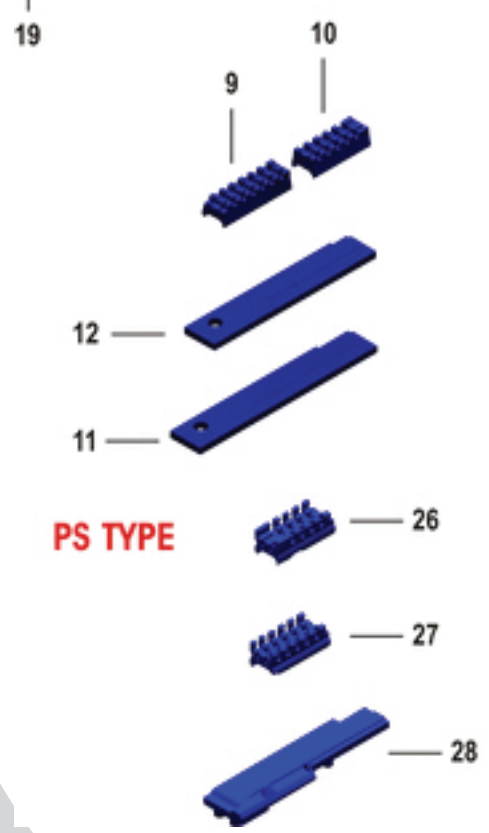
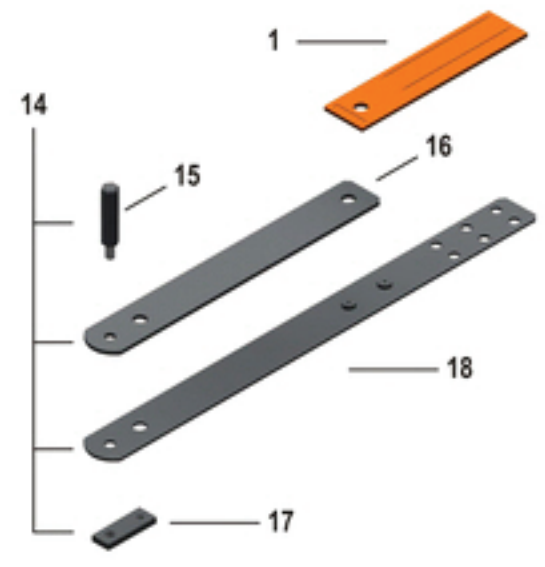
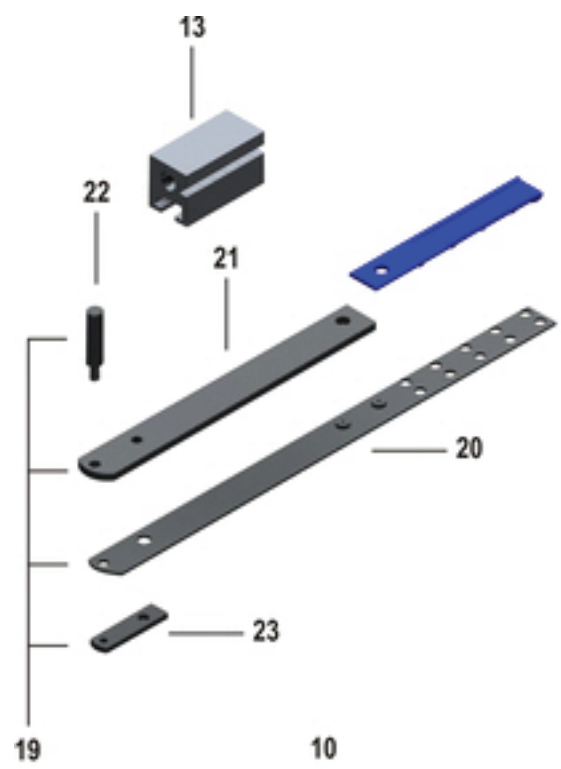




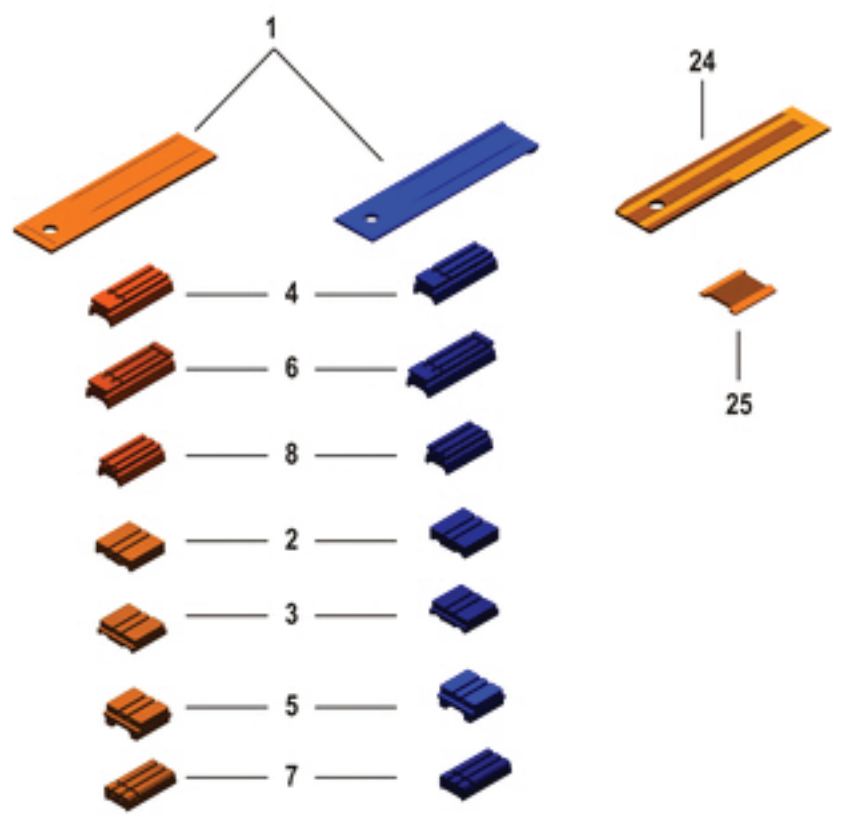
PROJECTILE BRAKE

ID:	Xtema No:	Art No:	Article name
1	1801	9111271 51	Threaded Pin G1/8"
1	1802	911827016	Threaded Pin M12X0,5 Left
1	1803	911127186	Threaded Pin M10x0,5
1		911327338	
2	1804	911127115	Thread Block G1/8"
2	1805	911327184	Thread Block M12X0,5 Left D10
2	1806	911127182	Thread Block M10X0,5
2	1848	911327717	Thread Block M12X0,5 Left D8
3	1807	9111 27111	Forked Link D8
3	1845	911327227	Forked Link D10
4	1808	911827003	Front holder of Brake D8
4	1809	911827019	Front holder of Brake D10
4	1849	911827004	Front holder of Brake D2
5	1810	911127155	Link D8
5	1846	911327335	Link D10
6	1811	911327229	Hollow Bolt D10X20 MM
6	1838	911227112	Hollow Bolt D8X20 MM
7	1812	911327233	Hollow Bolt D10x31,9 MM
7	1839	911227114	Hollow Bolt D8x31,9 MM
8	1813	911127127	Link
8	1814	911327284	Bar
9	1815	911127157	Pin
10	1816	911127118	Rear Brake Holder
10	1817	911327306	Rear Brake Holder
11	1818	911127166	Front side plate D1
12	1819	911127167	Front side plate D1
13	1820	911327351	Front side plate D1
14	1822	911327352	Front side plate D1
15	1821	911327013	Front side plate D2
16	1823	911327014	Front side plate D2
17	1824	911127171	Holder Plate
18	1825	911127168	Rear side plate
19	1826	911327393	Rear side plate KS
20	1827	911327212	Rear side plate WS
21	1828	911327021	Front Guide plate K2
22	1829	911327019	Rear Guide plate K2
23	1830	911327018	Side plate K2
24	1831	911327305	Forked Piece D10
24	1847	911127154	Forked Piece D8
25	1841	911327671	Side plate D1
25	1844	911327653	Side plate D2
26	1842	911327672	Side plate D1
26	1843	911327654	Side plate D2
27	1840	911327222	Bar
28	1832	911827013	Front Proj.Brake D1 PU
28	1833	912527015	Front Proj.Brake D1 TW1
28	1834	911827012	Front Proj.Brake D2 PU





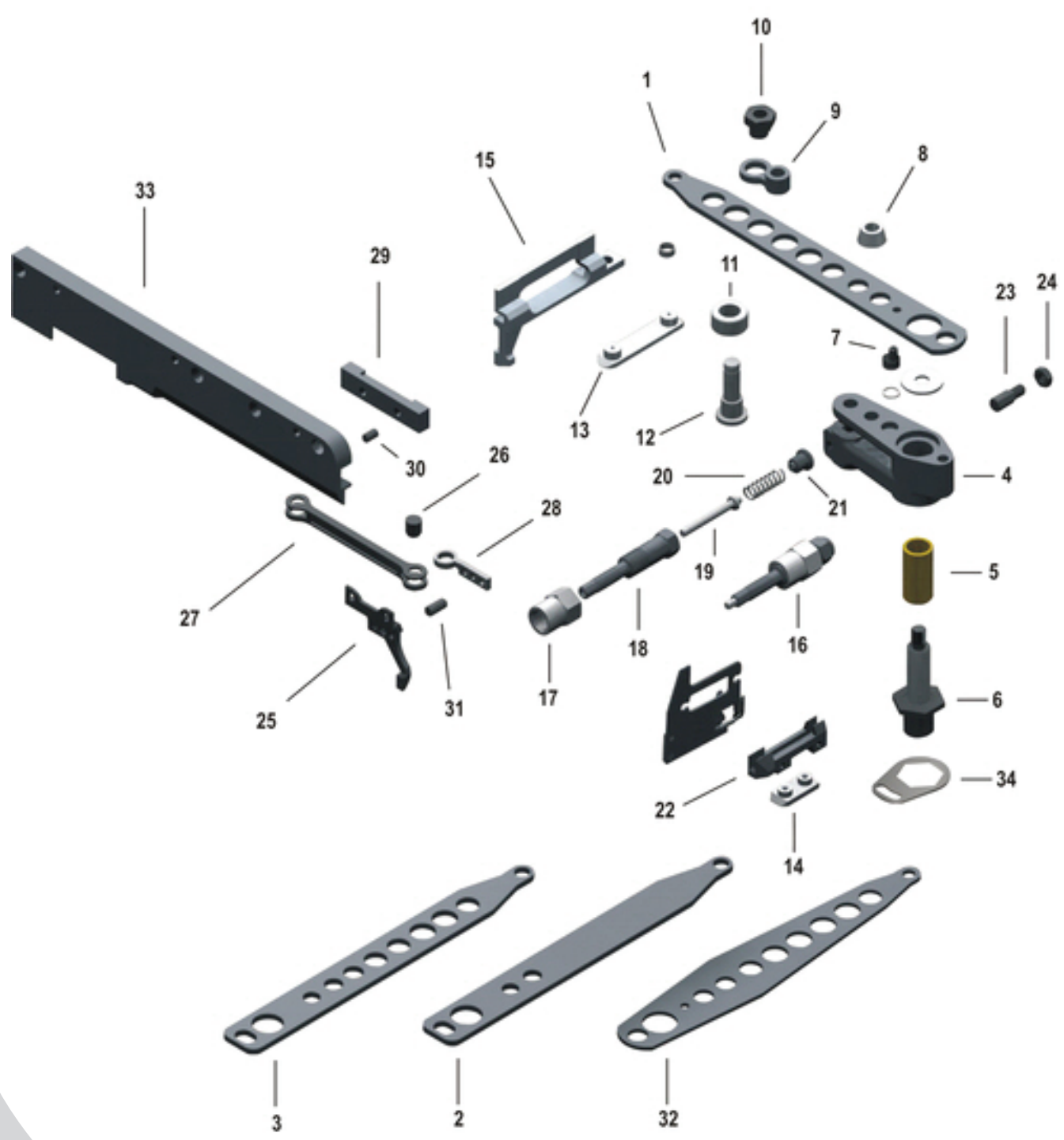
PS TYPE



PROJECTILE BRAKE - 2

ID:	Xtema No:	Art No:	Article name
5	1912	911 327701	Rear Brake PU Blue D2 C
5	1913	911127178	Rear Brake L:30,80 Brown
5	1914	911327624	Rear Brake L:30,80 Blue C
6	1915	911327353	Front Brake Brown PU D1
6	1953	911327353	Front Brake Brown PU D1 BLUE C
6	1962	911327353	Front Brake Brown PU D1 green
7	1916	911127177	Front Brake Brown PU D2
7	1917	911327699	Front Brake Blue PU D2 C
8	1952	911327271	Rear Brake D1
9	1918	911327677	Rear Brake D1
9	1956	911327677	Rear Brake D1 green
9	1919	911327694	Rear Brake D2
9	1931	740397000	Rear Brake D1 blue C
10	1920	911327676	Front brake D1 (911 327 497)L:47,9
10	1958	911327676	Front brake D1 L:47,9 green
10	1932	911327497	Front brake D1 L:47,9 blue C
10	1921	911327693	Front brake D2
1	1901	911127172	Lower Brake without naps
1	1902	911327003	Lower Brake with naps brown
1	1903	911327689	Lower Brake with naps blue
1	1960	911 327689	Lower Brake with naps green
1	1934	911327004	Lower Brake with naps brown D2
1	1935	911327004	Lower Brake with naps blue D2 C
2	1904	911127170	Rear Brake Brown
2	1933	911327712	Rear Brake Brown blue C
3	1905	911327059	Rear Brake Brown
3	1906	911327704	Rear Brake Blue C
4	1907	911127175	Front Brake Brown
4	1908	911327703	Front Brake Blue C
5	1909	911327157	Rear Brake PU Brown
5	1910	911327692	Rear Brake PU Blue C
5	1961	911327692	Rear Brake PU green
5	1911	911327062	Rear Brake PU Brown D2
10	1922	911327718	Front brake D1 L:42,4
10	1955	911327718	Front brake D1 L:42,4 green
10	1936	740398000	Front brake D1 L:42,4 blue C
11	1923	911327675	Lower Brake P7100 10 Pins
11	1959	911327675	Lower Brake P7100 10 Pins green
11	1937	911327675	Lower Brake P7100 10 Pins blue C
12	1924	911327698	Lower Brake 8 Pins
12	1957	911327698	Lower Brake 8 Pins green
12	1930	740396000	Lower Brake 8 Pins blue C
13	1925	911327793	Special Nut M10
14	1926	911825018	Support plate
15	1927	911325037	Shaft
16	1928	911325003	Plate
17	1929	911325035	Locking Plate

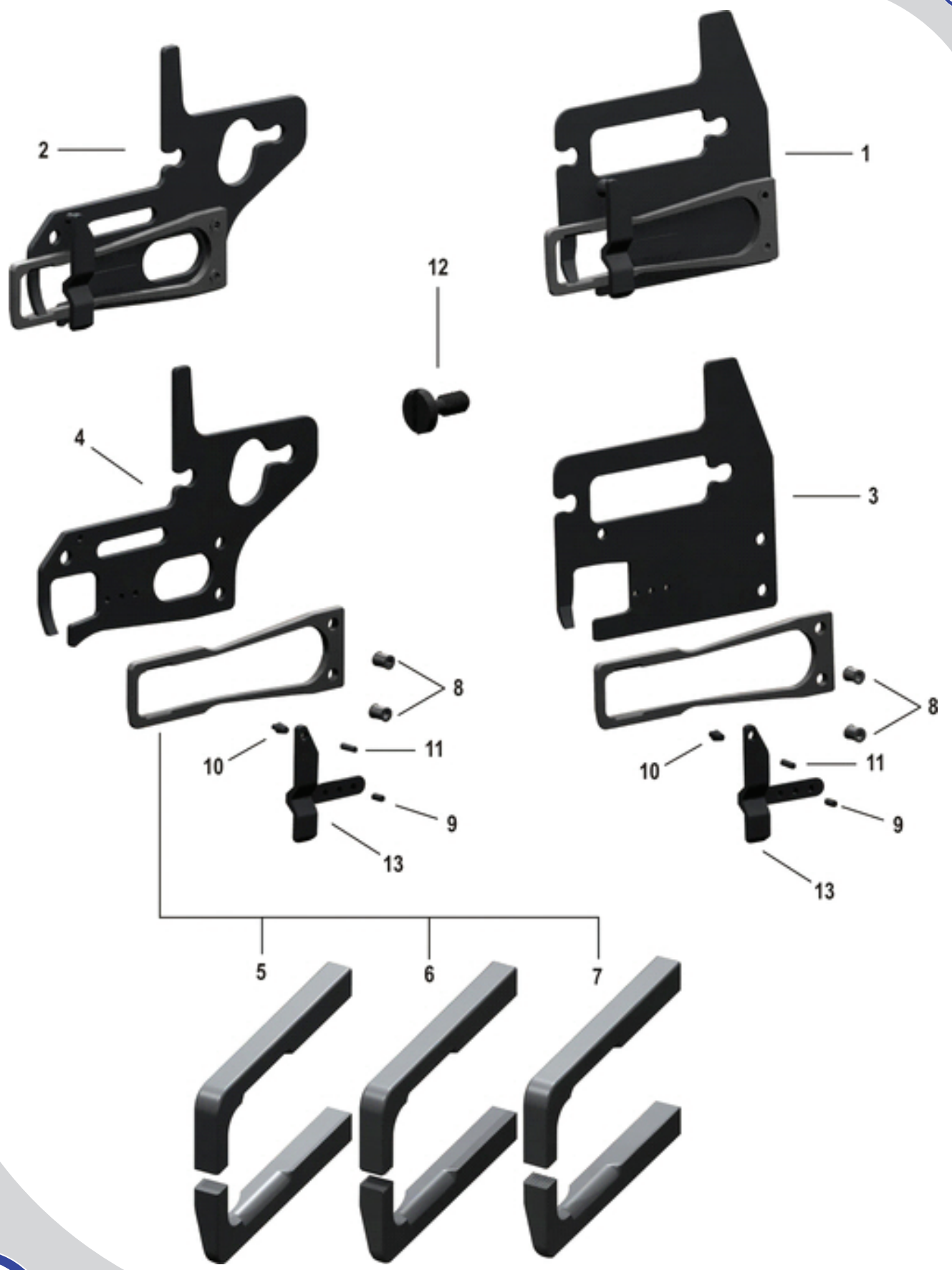




PROJECTILE FEEDER DRIVE

ID:	Xtema No:	Art No:	Article name
1	201	911319168	Rh Lever
1	202	911319302	Rh Lever D2 D10
2	204	911119200	Rh Lever D1 (912 519 065)
3	205	911319157	Rh Lever
3	206	911619004	Rh Lever
4	207	911819093	Pr.Feeder Roller Lever D15,91
4	208	911819094	Pr.Feeder Roller Lever D18
5	209	912119232	Bearing Bush
5	210	911719002	Bearing Bush
6	211	911119212	Projectile feeder axle G1/2 D15,91
6	212	911619016	Proj. feeder axle M24X1,5 D15,91
6	213	911319275	Proj. feeder axle M24X1,5 D18
7	214	911319167	Eccentric stud
8	215	911319169	Spacing Bush
9	216	911319097	Spacing piece
10	217	911319098	Eccentric Stud
11	218	911300015	Roller D15/25X11,8MM
12	219	911819044	ROLLER BOLT
12	220		ROLLER BOLT
13	221	911319429	Projectile feeder link MS
14	222	911319301	Projectile feeder link ES D10
14	223	911319431	Feeder link ES D9 (911319176)
15	224	912119215	Sliding Piece Ms
15	225	911719004	Sliding Piece Ms light
16	226	911819048	Stop Damper
17	227	911319081	Special Nut
18	228	911319159	Stop Pin
19	229	911319078	Pin
20	230	911319033	Pressure Spring
21	231	911319079	Special screw
22	232	911319282	Sliding piece ES D10
22	233	911119134	Sliding piece ES D9
23	234	911119302	Stud m8x0,75
24	235	911131119	Nut
25	236	740249000	Projectile feeder driver
26	237	741300000	Sliding Bolt
27	238	741087000	Projectile feeder link
28	239	911319872	Adapter
29	240	911319832	Sliding nut
30	241	911319445	Bolt 6,1x9,6
30	242	911319833	Bolt 6,04x9,6
31	243	921791500	Precision pin 4x12
32	245	911319654	RH LEVER
32	246	740275000	RH L



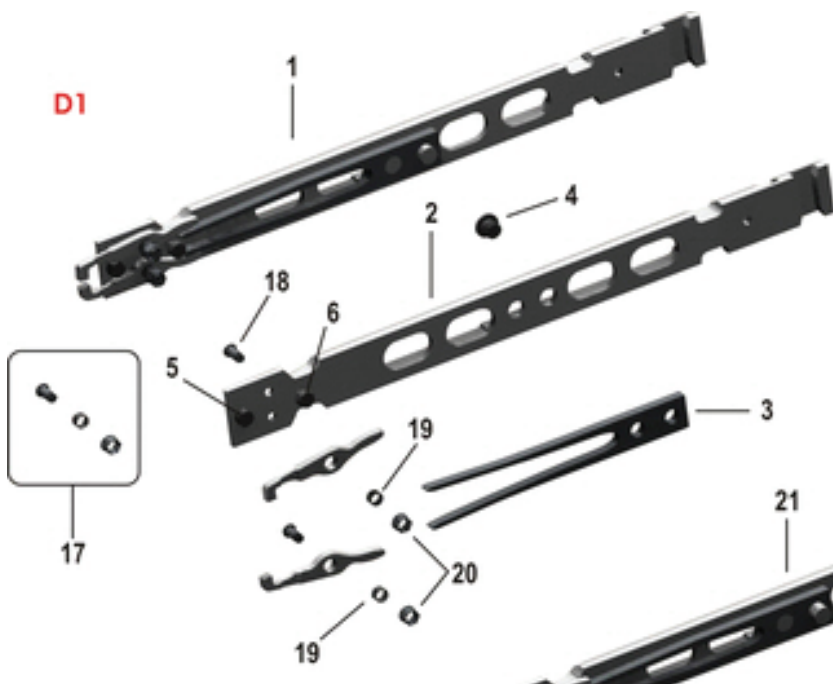


PROJECTILE FEEDER ES, D1, D2, D12

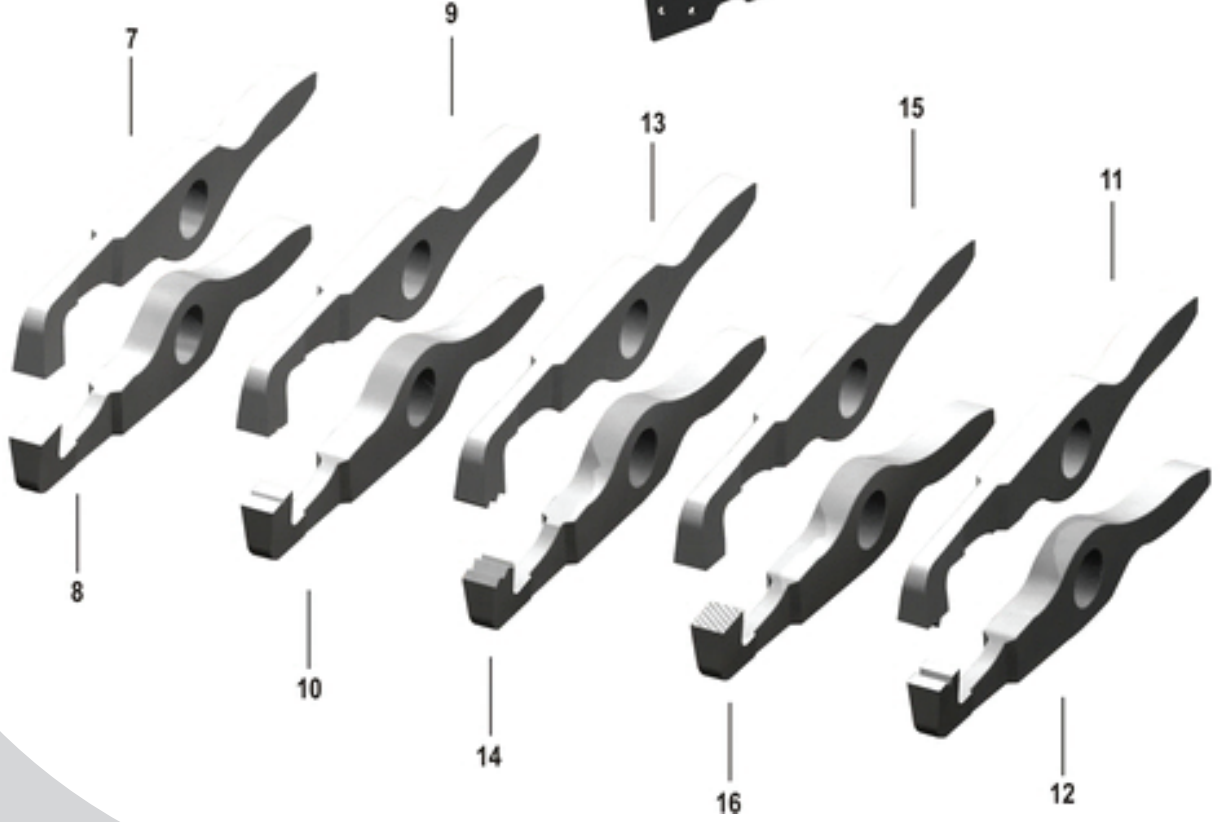
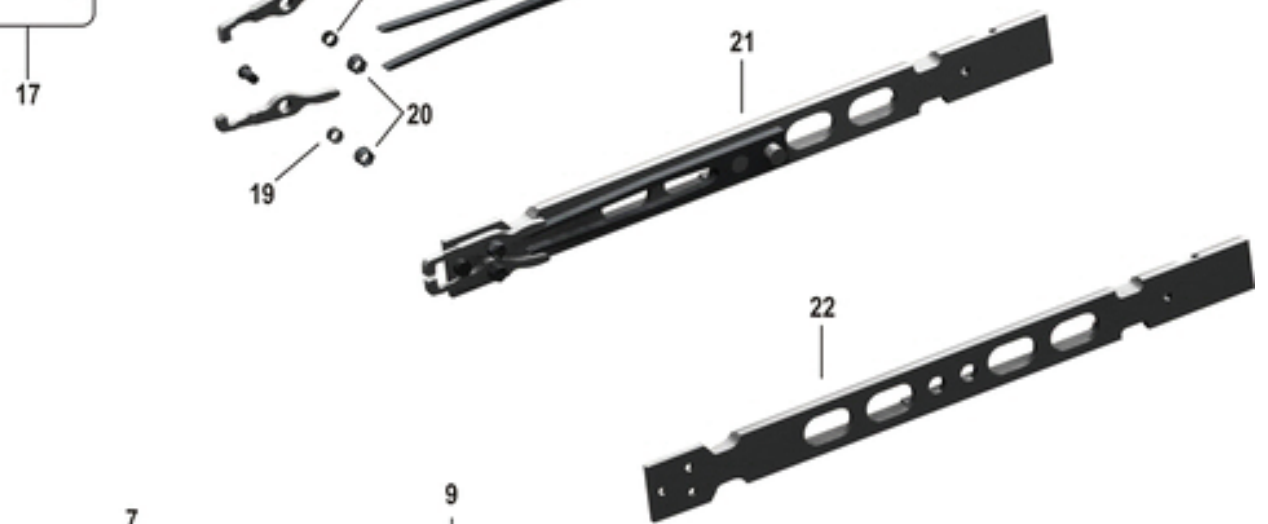
ID:	Xtema No:	Art No:	Article name
1	601	911819236	P.Feeder Smooth Ms D1 911819201
1	602	911819234	P.Feeder with groove Ms D1
1	603		Proj.Feeder V TYPE Ms D1
1	604	911819239	P.Feeder Ms D1 diamond knurled
1	639	911819133	P.Feeder Smooth MW2 D1
1	640	911819182	P.Feeder with groove MW2 D1
2	605	911819409	RH BAR D1
2	641	911 819106	RH BAR D1 WM 2
3	607	911319285	Gripper Spring
4	608	911219183	Centering screw
5	609	911219233	Stop Rivet
6	610	911319009	Stop Rivet long
7	611	911319789	Up. gripper smooth without coun.
7	612	911319119	Upper gripper s smooth D2
8	613	911319791	Lower gripp.smooth without coun.
8	614	91131912 1	Lower gripper smooth D2
9	615	911319787	Up.grip. With groove without coun.
10	616	911319788	Lower grip. Groove without coun.
11	617		Upper gripper V type without coun
12	618		Lower gripp. V type without coun
13	619	911319325	Upper gripper grooved D2 -D12
14	620	911319324	Lower gripper grooved D2 -D12
15	621	911319792	Upper gripper D1 Knurled
15	622	911319474	Upper gripper D2 knurled
15	632		
16	623	911319793	Lower gripper D1 knurled
16	624	911319475	Lower gripper D2 Knurled
16	633		
17	625	911819124	Special b ol with bush
18	626	911319238	Special screw
19	627	911319247	Bush D2,8/4X2,56
20	628	911319239	Special nut M2,6X0,35
21	629	911819341	P.Feeder smooth D2 -D12 Compl. L:182
21	630	911819344	P.Feeder grooved D2 -D12 Compl. L:182
21	631	911819336	P.Feeder Knurled D2 -D12 Compl. L:182
21	634		P.Feed er smooth D2 -D12 Compl. L:191
21	635		P.Feeder grooved D2 -D12 Compl. L:191
21	636		P.Feeder Knurled D2 -D12 Compl. L:191
22	637		FEEDER BAR D2 -D12 L:182
22	638	911819410	FEEDER BAR D2 -D12 L:191



D1



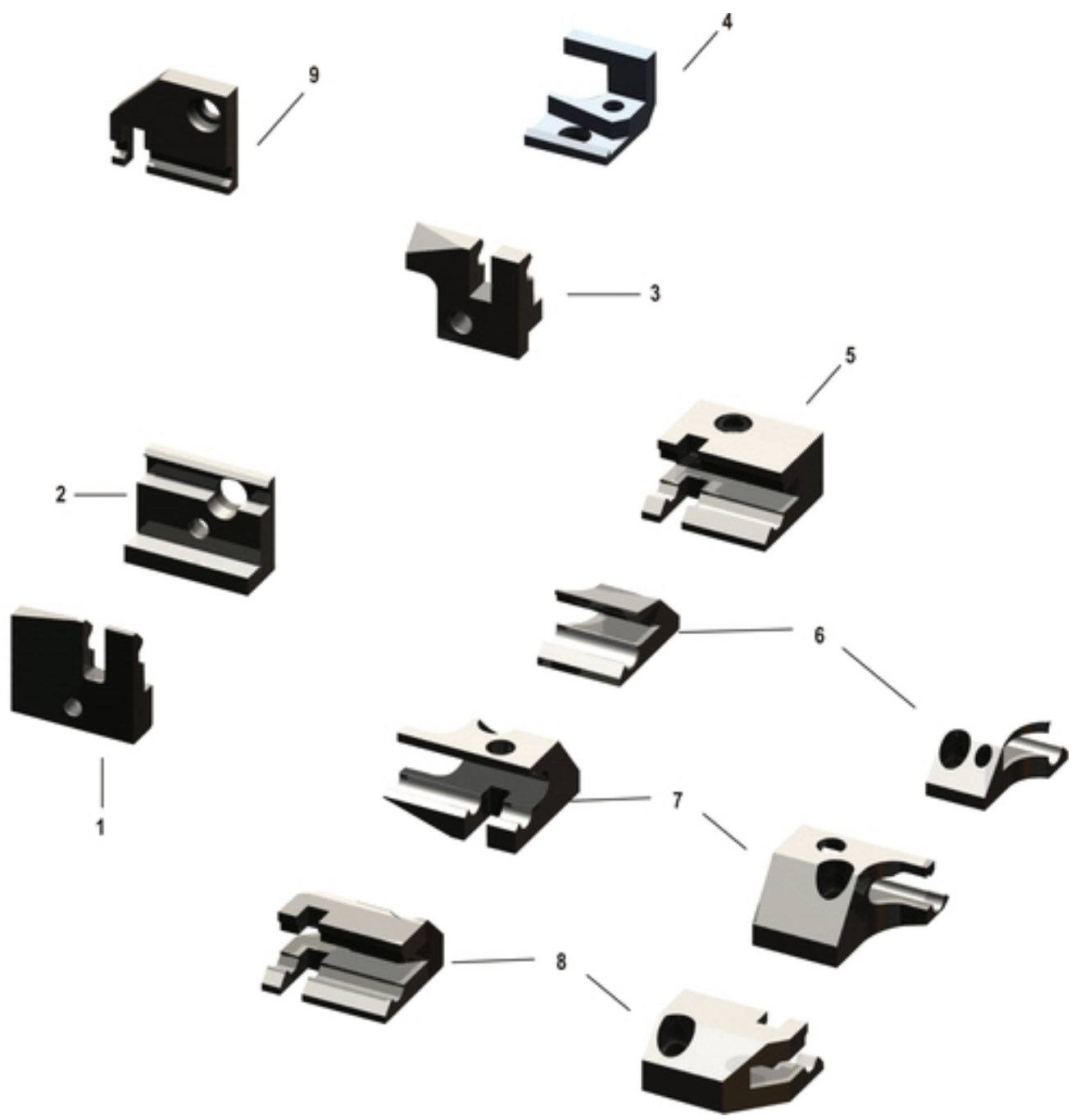
D2-D12



PROJECTILE FEEDER MS, D1, D2, D12

ID:	Xtema No:	Art No:	Article name
1	601	911819236	P.Feeder Smooth Ms D1 911819201
1	602	911819234	P.Feeder with groove Ms D1
1	603		Proj.Feeder V TYPE Ms D1
1	604	911819239	P.Feeder Ms D1 diamond knurled
1	639	911819133	P.Feeder Smooth MW2 D1
1	640	911819182	P.Feeder with groove MW2 D1
2	605	911819409	RH BAR D1
2	641	911 819106	RH BAR D1 WM 2
3	607	911319285	Gripper Spring
4	608	911219183	Centering screw
5	609	911219233	Stop Rivet
6	610	911319009	Stop Rivet long
7	611	911319789	Up. gripper smooth without coun.
7	612	911319119	Upper gripper s smooth D2
8	613	911319791	Lower gripp.smooth without coun.
8	614	91131912 1	Lower gripper smooth D2
9	615	911319787	Up.grip. With groove without coun.
10	616	911319788	Lower grip. Groove without coun.
11	617		Upper gripper V type without coun
12	618		Lower gripp. V type without coun
13	619	911319325	Upper gripper grooved D2 -D12
14	620	911319324	Lower gripper grooved D2 -D12
15	621	911319792	Upper gripper D1 Knurled
15	622	911319474	Upper gripper D2 knurled
15	632		
16	623	911319793	Lower gripper D1 knurled
16	624	911319475	Lower gripper D2 Knurled
16	633		
17	625	911819124	Special bol with bush
18	626	911319238	Special screw
19	627	911319247	Bush D2,8/4X2,56
20	628	911319239	Special nut M2,6X0,35
21	629	911819341	P.Feeder smooth D2 -D12 Compl L:182
21	630	911819344	P.Feeder grooved D2 -D12 Compl L:182
21	631	911819336	P.Feeder Knurled D2 -D12 Compl L:182
21	634		P.Feed er smooth D2 -D12 Compl L:191
21	635		P.Feeder grooved D2 -D12 Compl L:191
21	636		P.Feeder Knurled D2 -D12 Compl L:191
22	637		FEEDER BAR D2 -D12 L:182
22	638	911819410	FEEDER BAR D2 -D12 L:191

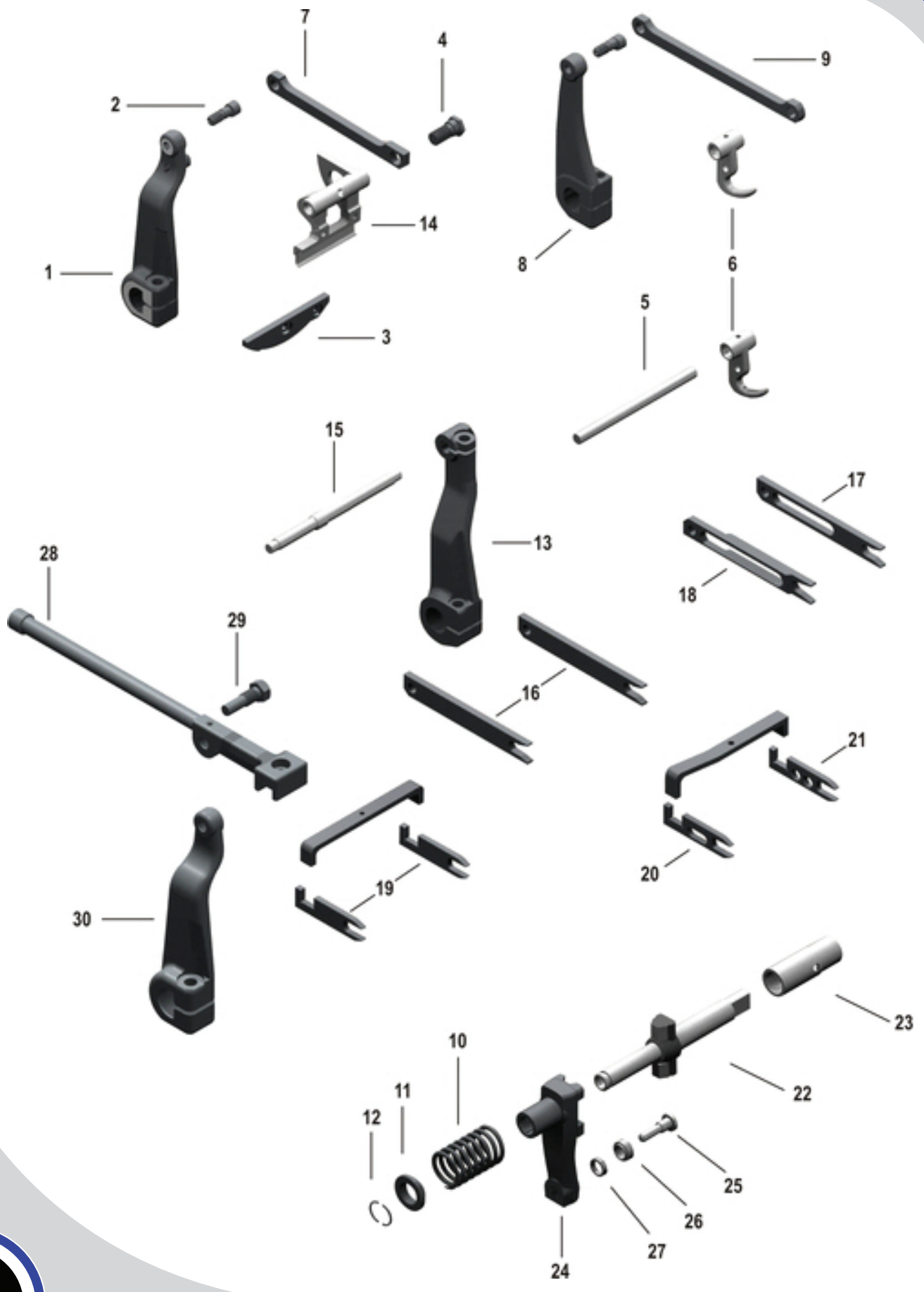




PROJECTILE GUIDE BLOCKS and FRONT GUIDE INSERTS D1, D2, D12

ID:	Xtema No:	Art No:	Article name
1	327	911316528	Proj.Guide Block MS D1
1	328	911116294	Proj.Guide Block MS D2
2	329	911116164	Front Guide insert D1
2	330	911116292	Front Guide insert D2
3	345	911316884	Proj.Guide block MS P 7100
3	346	911316703	Proj.Guide block MS P7100
3	362	911616053	Proj.Guide insert D2
4	347	911316462	Front Guide Insert P7100
4	348		Front Guide Insert P7100
4	361	911316814	Front Guide insert D2
5	349	911116162	PROJ.guide block ES D1
5	355	911116302	PROJ.guide block ES D2
6	352	911316454	PROJ.guide block ES D1 P7100
7	353	912311119	PROJ.guide block ES D1 D12
8	363	911416264	PROJ.guide block ES D1 D12
8	364	911416265	PROJ.guide block ES D2
9	358	911416223	Proj.Guide insert

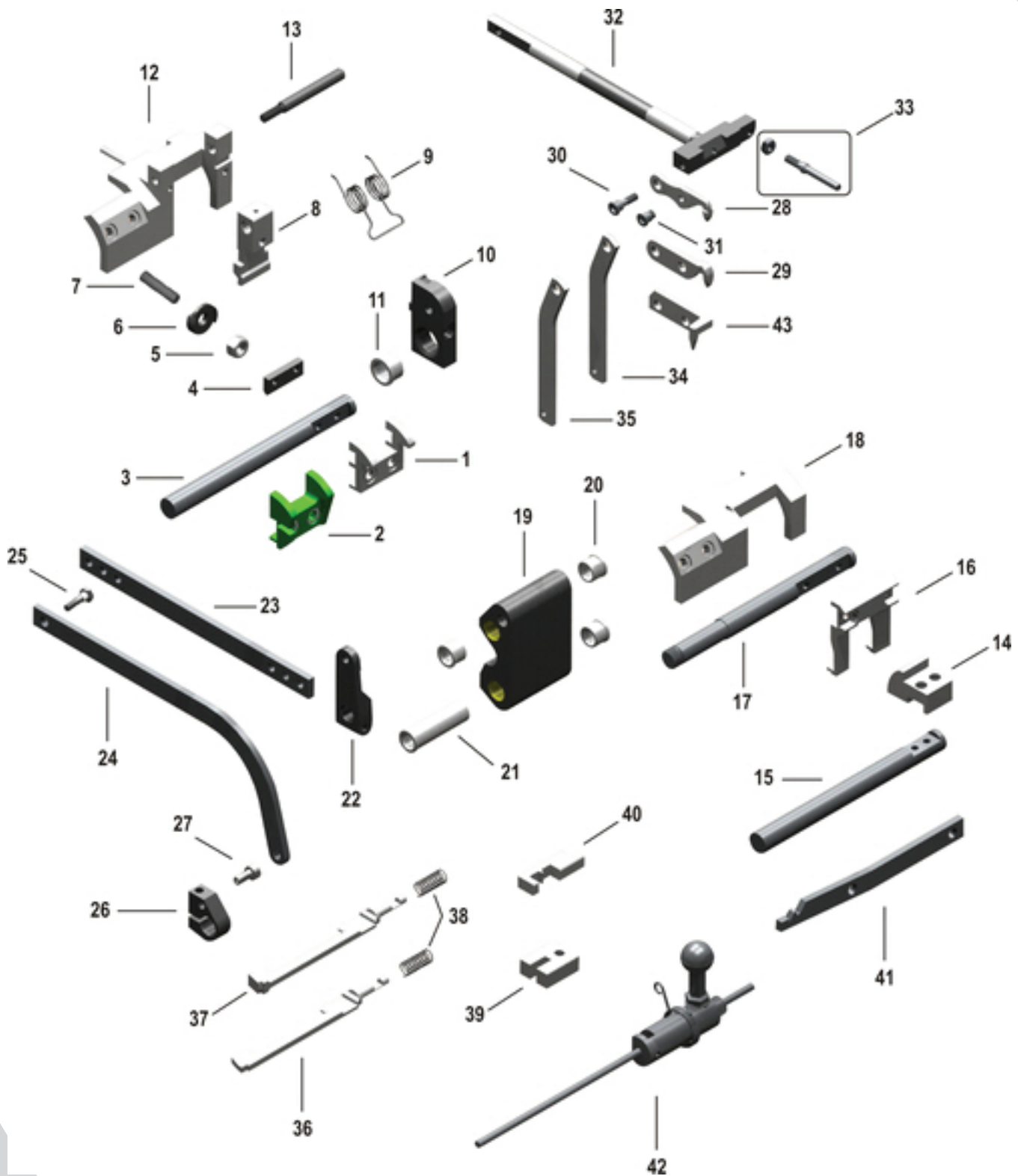




PROJECTILE LIFTER and OPENER

ID:	Xtema No:	Art No:	Article name
1	401	912517012	Lever
2	402	911118124	Eccentric axle
3	403	911317057	Upper part of proj. lifter MS D1
3	404	911317055	Upper part of proj. lifter D1 ES
3	405	911317056	Upper part of proj. lifter D2
3	406	911117166	Upper part of proj. lifter
3	407	911117137	Upper part of proj. lifter MS D1
3	408	911117102	Upper part of proj. lifter ES D1
3	456	911317046	Up. part of proj. lifter ES D2 hard fiber
4	409	912500002	Axle screw D9 L:29
4	410	911817004	Axle screw D11 L:29
4	411	911118118	Axle bolt D9 L:41
5	412	911117130	Axle ES D1 D9X124,8MM
5	413	911317105	Axle MS D1 D9X114MM
6	414	911318002	SU OPENER D1
6	415	911318003	SU OPENER D2
6	457	740400000	SU OPENER D1D12 12mm
6	458	740923000	SU OPENER D2 12mm
7	416	911117177	BAR BORES D9/11 MM
7	417	911117173	BAR BORES D9/9 MM
7	418	911317208	ROD
7	447	911317066	ROD D11
8	419	912518002	LEVER
8	420	911118107	LEVER
9	421	911118117	CONNECTING BAR
9	422	911618002	CONNECTING BAR
10	423	911217115	SPRING
10	424	91131712 3	SPRING 6,25X76,5
11	425	911117155	Spring Plate
12	426	911117170	Ring half
13	427	911319118	Feeder opener lever
14	428	911817054	Projectile Lifter D1D12 D9mm
1	450	911817058	Projectile Lifter D1D12 D12mm
14	448	911117146	Projectile Lifter D1 D9mm
14	449	911817053	Projectile Lifter D2 D9mm
14	451	911817063	Projectile Lifter D2 D12 mm
15	429	911319117	Drive axle D8/9,5/10/12x138
16	430	911319847	Feeder opener MS D1
17	431	911319841	Feeder opener D12 -D2 Front
18	432	911319839	Feeder opener D12 -D2 rear
19	433	911319773	Feeder opener ES D1 (911119227)
20	434	911319224	Feeder opener ES D12 -D2 Rear
20		911319804	Feeder opener ES D12 -D2 Rear
21	436	911119306	Feeder opener ES D12 -D2 Front
21		911319803	Feeder opener ES D12 -D2 Front
22	438	911117172	Splined Shaft

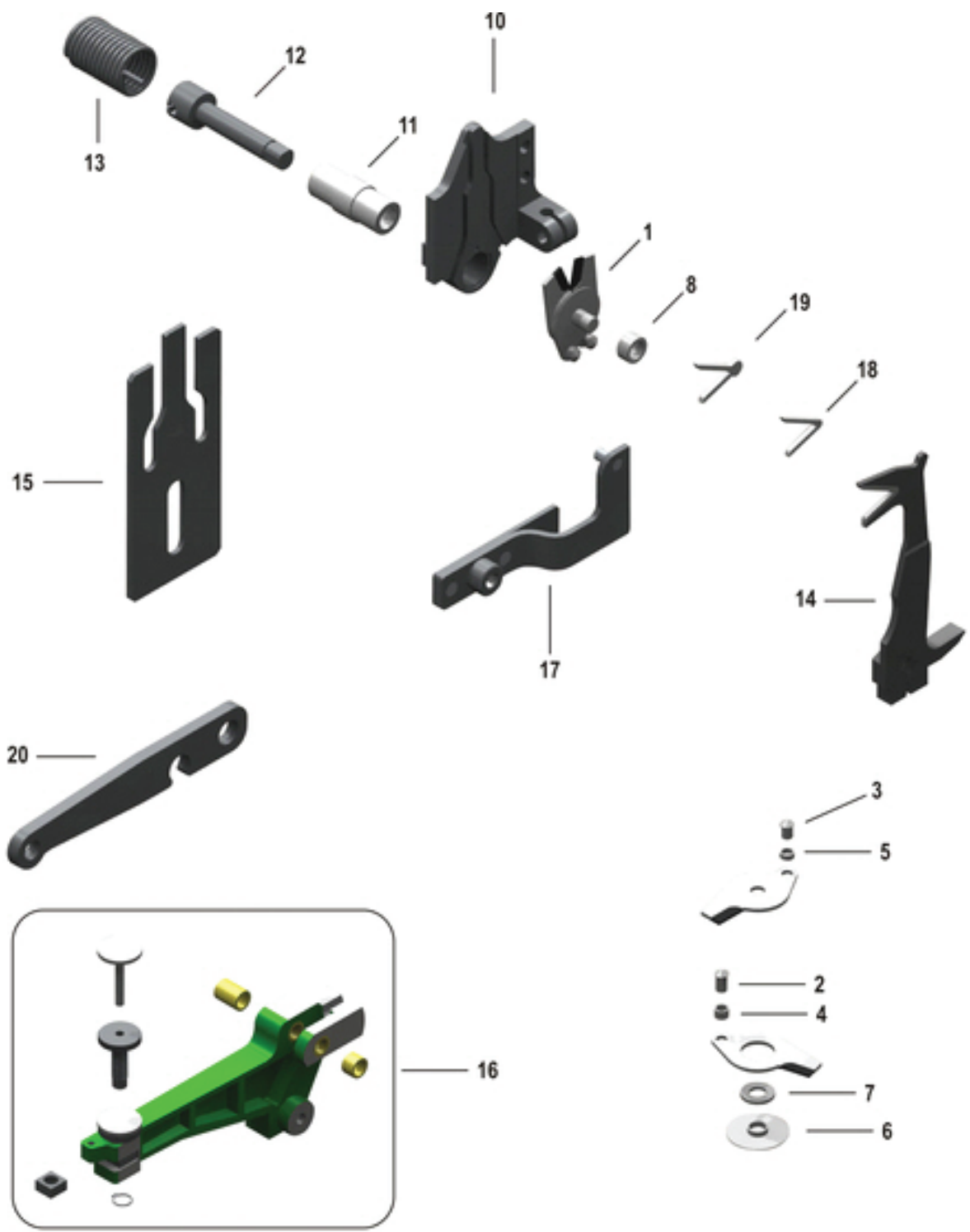




RECEIVING UNIT

ID:	Xtema No:	Art No:	Article name
1	1701	911130133	Expeller For D1
2	1702	911330069	Expeller Fork D1 Plastic
3	1703	911130154	Shaft 15x186
4	1704	911130159	Stop plate
5	1705	911133147	Special nut M8
6	1706	921871843	Washer 8,4/24x4
7	1707	921451200	Hexagonal Socket screw
8	1708	911130161	Latch D1
8	1709	911830004	Latch D1 plastic
8	1752	270002629	Latch D1 plastic P7300 (TK3120)
9	1710	911230147	Spring
10	1711	911825007	Support plate
11	1712	912130149	Bush
12	1713	911325158	Receiving box outer part
12	1714	911125129	Receiving box outer part
13	1715	911125141	Axle bolt 9/12 x 64
14	1716	911830001	Expeller fork D2
15	1717	911130179	Shaft
16	1718	911130181	Ratchet D2
17	1719	911130178	Shaft L:155
18	1720	911125406	Receiving box outer part D2
19	1721	912530021	Support D2
20	1722	911230116	Bush
21	1723	911130182	Bush
22	1724	911130176	Lever
23	1725	911130175	Bar D2
24	1726	911130157	Bent bar
25	1727	911300055	Axle bolt D8 M6
25	1728	911300057	Axle bolt D10 M6
26	1729	911830002	Clamping Lever
27	1730	911130107	Rivet pin 6/8x17,65
28	1731	911629008	Fas opener D1 D12
29	1732	911129165	Fas opener D1
29	1733	911129181	Fas opener D2
30	1734	911329032	Screw Long
31	1735	911229131	Screw short
32	1736	911329044	Expeller rod D1
32	1737	911329046	Expeller rod D2
33	1738	911129146	Bolt with nut D1
33	1739	911129178	Bolt with nut D2
34	1740	911129158	Link D1
35	1741	911129179	Link D1 D12 D2
36	1742	911128134	Projectile feeler D1
37	1743	911128136	Projectile feeler D2
38	1744	911228127	Feeler spring
39	1745	911125106	Guide piece 5 mm

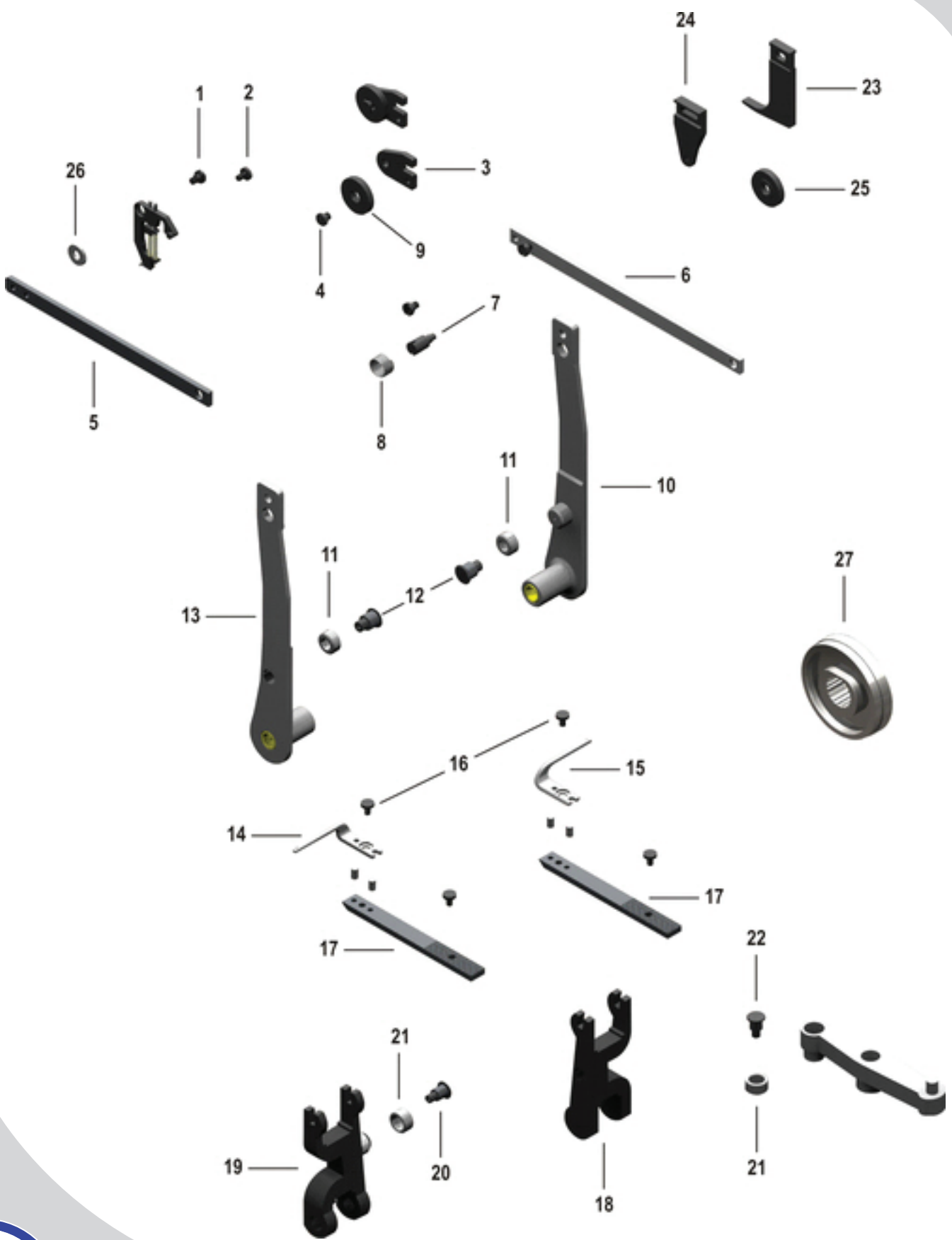




SCISSORS and CENTERING BLADES

ID:	Xtema No:	Art No:	Article name
1	1701	911130133	Expeller For D1
2	1702	911330069	Expeller Fork D1 Plastic
3	1703	911130154	Shaft 15x186
4	1704	911130159	Stop plate
5	1705	911133147	Special nut M8
6	1706	921871843	Washer 8,4/24x4
7	1707	921451200	Hexagonal Socket screw
8	1708	911130161	Latch D1
8	1709	911830004	Latch D1 plastic
8	1752	270002629	Latch D1 plastic P7300 (TK3120)
9	1710	911230147	Spring
10	1711	911825007	Support plate
11	1712	912130149	Bush
12	1713	911325158	Receiving box outer part
12	1714	911125129	Receiving box outer part
13	1715	911125141	Axle bolt 9/12 x 64
14	1716	911830001	Expeller fork D2
15	1717	911130179	Shaft
16	1718	911130181	Ratchet D2
17	1719	911130178	Shaft L:155
18	1720	911125406	Receiving box outer part D2
19	1721	912530021	Support D2
20	1722	911230116	Bush
21	1723	911130182	Bush
22	1724	911130176	Lever
23	1725	911130175	Bar D2
24	1726	911130157	Bent bar
25	1727	911300055	Axle bolt D8 M6
25	1728	911300057	Axle bolt D10 M6
26	1729	911830002	Clamping Lever
27	1730	911130107	Rivet pin 6/8x17,65
28	1731	911629008	Fas opener D1 D12
29	1732	911129165	Fas opener D1
29	1733	911129181	Fas opener D2
30	1734	911329032	Screw Long
31	1735	911229131	Screw short
32	1736	911329044	Expeller rod D1
32	1737	911329046	Expeller rod D2
33	1738	911129146	Bolt with nut D1
33	1739	911129178	Bolt with nut D2
34	1740	911129158	Link D1
35	1741	911129179	Link D1 D12 D2
36	1742	911128134	Projectile feeler D1
37	1743	911128136	Projectile feeler D2
38	1744	911228127	Feeler spring
39	1745	911125106	Guide piece 5 mm





WEFT END GRIPPERS and TUCK-IN NEEDLES

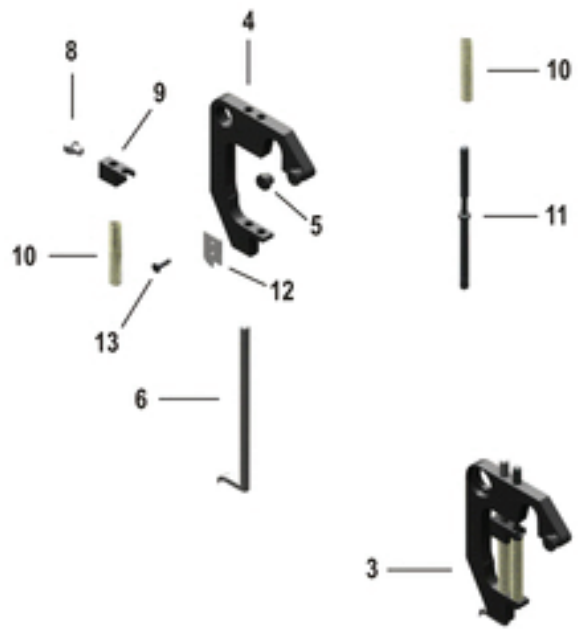
ID:	Xtema No:	Art No:	Article name
1	1301	911132176	Special Screw L: 7,5 mm
1	1335	911333892	Special Screw M5X0,5 / 7 / 9,5X11,5
1	1339	911333901	Special Screw M5X0,5 / 7 / 9,5X9,5
2	1302	911132177	Special Screw L: 10 mm
2	1336	911333893	Screw m5x0,5/6/9,5x14
3	1303	911132221	Roller Holder
4	1304	911232223	Roller Bolt
5	1305	911159174	Rfkl Lever Su
6	1306	911559036	Rfkl Lever Fa
6	1307	911159176	Rfkl Lever Fa TLLS
7	1308	911132416	Spring Stud
8	1310	911232229	Spring
9	1311	911132235	Stop roller D28
9	1312	911359724	Stop roller D32
10	1313	912559074	Roller Lever Fa D 10
10	1314	911859208	Roller Lever Fa D 12
11	1315	911159301	Roller D11/16x8,4 mm
11	1316	911359134	Roller D11,5/16x8,4 mm
12	1317	912559181	Rivet Pin D7,5
12	1318	911859203	Rivet Pin D8/11,48
13	1319	912559073	Roller Lever SU D10
13	1320	911859207	Roller Lever SU D12
14	1321	911659054	Tucking needle SU R0,5
14	1322	911659056	Tucking needle SU R 1
15	1323	911659055	Tucking needle FA R0,5
15	1324	911659057	Tucking needle FA R 1
16	1325	911232132	Special screw
17	1326	912559169	Rfkl Lever
18	1327	912559156	Roller Lever Su
19	1328	912559157	Roller Lever FA
20	1329	912559131	Rivet Pin
21	1330	911159268	Roller
22	1331	912559132	Rivet Pin
23	1332	911359106	Opener shoe SU/FA
24	1333	911359085	Roller Holder
25	1334	911132260	Stop roller D30
26	1337	911333894	spacing sleeve 7 /16 /4
26	1338	911333895	spacing sleeve 6,1/16/4
27	1340	911359654	Cam Disc horizontal LL FA120LT140 RFKL
27	1341	911359653	Cam Disc horizontal LL SU120LT140 RFKL



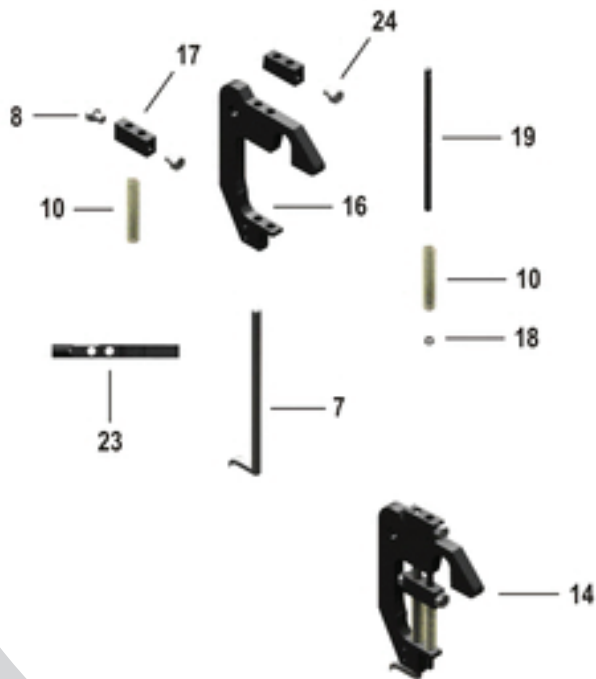
SU



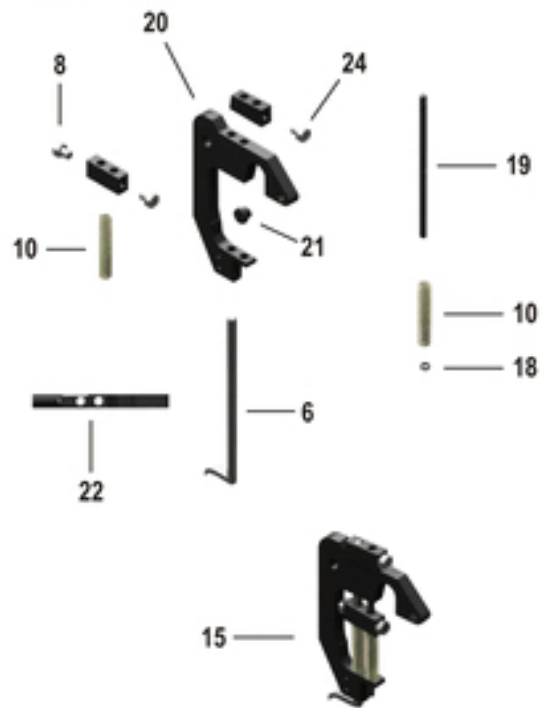
FA



SU



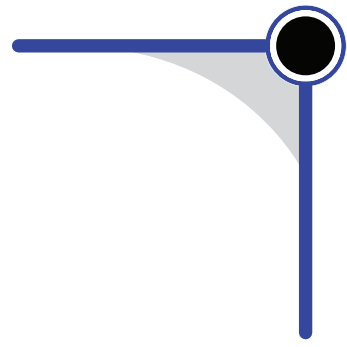
FA



WEFT END GRIPPERS

ID:	Xtema No:	Art No:	Article name
1	1203	911859 344	Gripper Su LLS hard spring knurled
1	1204	912536111	Weft End gripper Su TLLS
2	1206	911659062	Weft End Gripper Body Su
2	1207	911659067	Weft End Gripper Body Su knurled
3	1209	911859268	Weft End gripper r Fa LLS
3	1210	911859275	W.End gripper Fa LLS hard spring
3	1211	911 859346	Gripper Fa LLS hard spring knurled 14
3	1212		Grip.Fa Hard,knur. w.side plate 12 -13-14
3	1213		Gripper Fa Hard, w.side plate 4 -12-13
4	1215	911859273	Weft End Gripper Body FA
4	1216	911859290	Weft End Gripper Body FA knurled -14
4	1217		Body Fa Hard,knur. w.side plate 12 -13-14
5	1219	911232165	Rivet Bolt (911 359 912)
5	1220		Rivet Bolt for Modified body
6	1221	911132290	Foot Fa D:2,5 mm (911 359 602)
6	1222		Foot Modified D:3 mm FA -SU
7	1223	911132289	Foot Su D:2,5 mm (911 359 601)
8	1225	911232168	Special Screw
9	1226	911132167	Guide piece
10	1228	911232169	Spring
10	1229	911159292	Spring Hard
11	1230	911236152	Spring Rod L:50
11	1231	911236164	Spring Rod L:51
12	1233	911359922	Supporting Side plate
13	1234	921873346	Rivet for S.side plate
1	1201	911859267	Weft End gripper Su LLS
1	1202	911859274	W.End gripper Su LLS hard spring





CONTACT

Xtema - Thomas Lebherz Textilmaschinen
Textile machinery, trade, evaluations and technical service
Dammstr. 4G - 91083 Baiersdorf

Germany

Tel. + 49 - (0)9133 - 769 88 - 64
Fax. + 49 - (0)9133 - 769 88 - 65

www.xtema.de

Ust-Id / VAT - No.: DE 812922187

